

# ImrcI

## Lucknow Metro Rail Corporation Shift 2

### Notations :

1. Options shown in green color and with ✓ icon are correct.
2. Options shown in red color and with ✗ icon are incorrect.

**Question Paper Name:** Junior Engineer Electrical Engineering Actual Final Shift 2  
**Subject Name:** Junior Engineer Electrical Engineering  
**Duration:** 90

### Group 1

Group Maximum Duration : 0  
Group Minimum Duration : 90  
Revisit allowed for view? : No  
Revisit allowed for edit? : No

### Technical

Mandatory or Optional: Mandatory

**Question Number : 1 Question Type : MCQ**

**Correct : 1 Wrong : 0.33**

Unit of resistivity is:

### Options :

1. ✓ ohm metre
2. ✗ mho metre
3. ✗ mho
4. ✗ ohm

**Question Number : 2 Question Type : MCQ**

**Correct : 1 Wrong : 0.33**

In a conductor, current density is the:

### Options :

1. ✓ current flowing per unit area
2. ✗ current flowing per unit volume
3. ✗ current flowing per unit mass
4. ✗ current flowing per unit length

**Question Number : 3 Question Type : MCQ**

**Correct : 1 Wrong : 0.33**

Kirchoff's first and second laws are respectively based on conservation of:

Options :

1. ✘ energy and charge
2. ✔ charge and energy
3. ✘ mass and charge
4. ✘ mass and energy

Question Number : 4 Question Type : MCQ

Correct : 1 Wrong : 0.33

The core of a transformer is laminated to prevent:

Options :

1. ✘ rusting of core
2. ✔ energy losses due to eddy currents
3. ✘ increase in weight of transformer
4. ✘ resistance to current

Question Number : 5 Question Type : MCQ

Correct : 1 Wrong : 0.33

An inductor may store charges in its:

Options :

1. ✘ electric field
2. ✘ coils
3. ✔ magnetic field
4. ✘ electric and magnetic fields both

Question Number : 6 Question Type : MCQ

Correct : 1 Wrong : 0.33

The average power of an A.C. circuit is:

Options :

1. ✘ 0
2. ✔  $E_v I_v \cos \Phi$
3. ✘  $E_v I_v \sin \Phi$
4. ✘  $E_v I_v$

Question Number : 7 Question Type : MCQ

Correct : 1 Wrong : 0.33

In an A.C. circuit, power is consumed only in

Options :

1. ✘ capacitor
2. ✘ inductor
3. ✔ resistance
4. ✘ choke

Question Number : 8 Question Type : MCQ

Correct : 1 Wrong : 0.33

When power is drawn from secondary coil of a transformer, the dynamic resistance:

Options :

- increases
- decreases
- remains constant
- changes erratically

Question Number : 9 Question Type : MCQ

Correct : 1 Wrong : 0.33

At resonance, inductive reactance is equal to

Options :

- Resistance
- Capacitance
- Capacitive Reactance
- Inductance

Question Number : 10 Question Type : MCQ

Correct : 1 Wrong : 0.33

An LC circuit cannot produce oscillations, when

Options :

- capacitance is large
- inductance is large
- resistance is large
- resistance is low

Question Number : 11 Question Type : MCQ

Correct : 1 Wrong : 0.33

Wattless current is possible only in

Options :

- a resistive circuit
- a non resistive circuit
- an LR circuit
- an LCR circuit

Question Number : 12 Question Type : MCQ

Correct : 1 Wrong : 0.33

Hot wire ammeters are used for measuring

Options :

- only a.c.
- only d.c.
- neither a.c. nor d.c.
- both a.c. and d.c.

Question Number : 13 Question Type : MCQ

Correct : 1 Wrong : 0.33

A transformer steps up or down

Options :

1.  a.c. only
2.  d.c. only
3.  either a.c. or d.c.
4.  a.c. mixed with d.c.

**Question Number : 14 Question Type : MCQ**

**Correct : 1 Wrong : 0.33**

A dynamo is sometimes said to generate electricity. It actually acts as a source of

**Options :**

1.  charge
2.  magnetism
3.  emf
4.  energy

**Question Number : 15 Question Type : MCQ**

**Correct : 1 Wrong : 0.33**

A motor starter is

**Options :**

1.  fixed resistance
2.  variable resistance
3.  variable inductance
4.  variable capacitor

**Question Number : 16 Question Type : MCQ**

**Correct : 1 Wrong : 0.33**

Which of the following devices does not work on the principle of mutual induction?

**Options :**

1.  Induction Coil
2.  Tesla Coil
3.  Transformer
4.  Motor

**Question Number : 17 Question Type : MCQ**

**Correct : 1 Wrong : 0.33**

As the motion of armature increases, back e.m.f.

**Options :**

1.  increases
2.  decreases
3.  remains constant
4.  may increase or decrease

**Question Number : 18 Question Type : MCQ**

**Correct : 1 Wrong : 0.33**

If the speed of rotation of a dynamo is doubled, then the induced emf will:

**Options :**

1.  become half

2.  become double
3.  become four times
4.  remain unchanged

Question Number : 19 Question Type : MCQ

Correct : 1 Wrong : 0.33

The field coils of DC generator are generally made up of:

Options :

1.  Mica
2.  Copper
3.  Cast Iron
4.  Carbon

Question Number : 20 Question Type : MCQ

Correct : 1 Wrong : 0.33

Iron losses in DC machines are independent of variations in

Options :

1.  speed
2.  load
3.  voltage
4.  speed and voltage

Question Number : 21 Question Type : MCQ

Correct : 1 Wrong : 0.33

Which type of winding is generally preferred for generating large currents on DC generators?

Options :

1.  Progressive wave winding
2.  Lap winding
3.  Retrogressive wave winding
4.  Current depends on design

Question Number : 22 Question Type : MCQ

Correct : 1 Wrong : 0.33

Permeance is the reciprocal of:

Options :

1.  flux density
2.  reluctance
3.  ampere turns
4.  resistance

Question Number : 23 Question Type : MCQ

Correct : 1 Wrong : 0.33

The critical resistance of the DC generator is the resistance of:

Options :

1.  field
2.  brushes

3. ✘ armature

4. ✘ load

Question Number : 24 Question Type : MCQ

Correct : 1 Wrong : 0.33

If residual magnetism is present in a DC generator, the induced e.m.f. at zero speed will be

Options :

1. ✔ zero

2. ✘ small

3. ✘ the same as rated voltage

4. ✘ high

Question Number : 25 Question Type : MCQ

Correct : 1 Wrong : 0.33

An exciter for a turbo generator is a:

Options :

1. ✘ separately excited generator

2. ✔ shunt generator

3. ✘ series generator

4. ✘ compound generator

Question Number : 26 Question Type : MCQ

Correct : 1 Wrong : 0.33

A DC motor converts

Options :

1. ✘ magnetic energy into electrical energy

2. ✘ electric energy into magnetic energy

3. ✘ mechanical energy into electrical energy

4. ✔ electrical energy into mechanical energy

Question Number : 27 Question Type : MCQ

Correct : 1 Wrong : 0.33

Which DC motors are preferred for elevators?

Options :

1. ✘ Shunt motors

2. ✘ Series motors

3. ✘ Differential compound motors

4. ✔ Cumulative compound motors

Question Number : 28 Question Type : MCQ

Correct : 1 Wrong : 0.33

In DC machines, fractional pitch winding is used to:

Options :

1. ✘ improve cooling

2. ✘ reduce copper losses

3. ✘ increase the generated emf

- reduce the sparking

Question Number : 29 Question Type : MCQ

Correct : 1 Wrong : 0.33

The speed of DC motor is proportional to the:

Options :

- armature current
- square of armature current
- field current
- inverse of armature current

Question Number : 30 Question Type : MCQ

Correct : 1 Wrong : 0.33

Three point starter can be used for:

Options :

- series motor
- shunt motor
- compound motor
- both shunt and compound motor

Question Number : 31 Question Type : MCQ

Correct : 1 Wrong : 0.33

DC motors are used for driving

Options :

- trains
- cranes
- hoists
- machine tools

Question Number : 32 Question Type : MCQ

Correct : 1 Wrong : 0.33

In a DC motor, constant torque is produced due to

Options :

- rotor laminations
- end plates
- pole shoes
- commutator

Question Number : 33 Question Type : MCQ

Correct : 1 Wrong : 0.33

The mechanical power developed by a DC motor is:

Options :

- power input + losses
- back emf  $\times$  armature current
- power output  $\times$  losses

4. ✘ power output × efficiency

Question Number : 34 Question Type : MCQ

Correct : 1 Wrong : 0.33

In a DC motor, speed control by varying the armature circuit resistance provides a:

Options :

1. ✔ constant torque drive
2. ✘ variable torque drive
3. ✘ constant power drive
4. ✘ variable power drive

Question Number : 35 Question Type : MCQ

Correct : 1 Wrong : 0.33

No load test on a transformer is carried out to determine

Options :

1. ✘ copper loss
2. ✘ magnetising current
3. ✔ magnetising current and loss
4. ✘ efficiency

Question Number : 36 Question Type : MCQ

Correct : 1 Wrong : 0.33

The power transformer is a constant

Options :

1. ✘ voltage device
2. ✘ current device
3. ✘ power device
4. ✔ main flux device

Question Number : 37 Question Type : MCQ

Correct : 1 Wrong : 0.33

Buchholz relay is used on

Options :

1. ✘ welding transformers
2. ✘ air cooled transformers
3. ✘ furnace transformers
4. ✔ oil cooled transformers

Question Number : 38 Question Type : MCQ

Correct : 1 Wrong : 0.33

The range of efficiency for shaded pole motors is

Options :

1. ✘ 95% to 99%
2. ✘ 80% to 90%
3. ✘ 50% to 75%
4. ✔ 5% to 35%



Question Number : 39 Question Type : MCQ

Correct : 1 Wrong : 0.33

The speed of universal motor is generally reduced by

Options :

- gear trains
- V belts
- brakes
- chains

Question Number : 40 Question Type : MCQ

Correct : 1 Wrong : 0.33

The starting winding of a single phase motor is placed in

Options :

- armature
- field
- rotor
- stator

Question Number : 41 Question Type : MCQ

Correct : 1 Wrong : 0.33

The rotor of which motor does not have winding on it?

Options :

- Repulsion motor
- Universal motor
- Reluctance motor
- Hysteresis motor

Question Number : 42 Question Type : MCQ

Correct : 1 Wrong : 0.33

A three phase synchronous motor will have:

Options :

- no slip rings
- one slip ring
- two slip rings
- three slip rings

Question Number : 43 Question Type : MCQ

Correct : 1 Wrong : 0.33

Hunting in a synchronous motor takes place when

Options :

- supply voltage fluctuates
- load varies
- power factor is unity
- motor is under loaded

Question Number : 44 Question Type : MCQ

Correct : 1 Wrong : 0.33

The angle between rotating stator flux and rotor poles is called:

Options :

- torque angle
- obtuse angle
- synchronizing angle
- power factor angle

Question Number : 45 Question Type : MCQ

Correct : 1 Wrong : 0.33

Which of the following is not self starting?

Options :

- DC series motor
- Synchronous motor
- Squirrel cage induction motor
- Wound round induction motor

Question Number : 46 Question Type : MCQ

Correct : 1 Wrong : 0.33

The ratio of starting torque to running torque in a synchronous motor is:

Options :

- 0
- 1
- 2
- $\infty$

Question Number : 47 Question Type : MCQ

Correct : 1 Wrong : 0.33

The overall efficiency of a thermal power plant is equal to:

Options :

- Rankine cycle efficiency
- Carnot cycle efficiency
- Regenerative cycle efficiency
- Boiler efficiency  $\times$  Turbine efficiency  $\times$  Generator efficiency

Question Number : 48 Question Type : MCQ

Correct : 1 Wrong : 0.33

Which of the following coals has the highest calorific value?

Options :

- Peat
- Lignite
- Bituminous
- Anthracite

Question Number : 49 Question Type : MCQ

Correct : 1 Wrong : 0.33

Compounding of steam is done for

Options :

1. ✘ reducing the work done
2. ✘ increasing the rotor speed
3. ✔ reducing the rotor speed
4. ✘ balancing the turbine

Question Number : 50 Question Type : MCQ

Correct : 1 Wrong : 0.33

Francis and Kaplan turbines fall under the category of:

Options :

1. ✘ impulse turbine
2. ✔ reaction turbine
3. ✘ axial flow
4. ✘ impulse and reaction combined

Question Number : 51 Question Type : MCQ

Correct : 1 Wrong : 0.33

For the same power output, operating charges are minimum in a:

Options :

1. ✘ gas turbine plant
2. ✔ hydel plant
3. ✘ thermal plant
4. ✘ nuclear plant

Question Number : 52 Question Type : MCQ

Correct : 1 Wrong : 0.33

Which of the following is used as moderator in nuclear power plants?

Options :

1. ✘ Sodium
2. ✘ Graphite
3. ✔ Heavy water
4. ✘ Hydrogen

Question Number : 53 Question Type : MCQ

Correct : 1 Wrong : 0.33

Demand factor is

Options :

1. ✔ Maximum demand/Connected load
2. ✘ Maximum demand/ Average load
3. ✘ Connected load/Maximum demand
4. ✘ Average load/Maximum demand

Question Number : 54 Question Type : MCQ

Correct : 1 Wrong : 0.33

The ratio of energy produced in a given time to the maximum possible energy that can be produced is:

Options :

1. ✘ Utilization factor
2. ✔ Plant use factor
3. ✘ Demand factor
4. ✘ Load factor

Question Number : 55 Question Type : MCQ

Correct : 1 Wrong : 0.33

What does the area under the load curve give?

Options :

1. ✘ Load
2. ✘ Average demand
3. ✔ Energy consumed
4. ✘ Maximum demand

Question Number : 56 Question Type : MCQ

Correct : 1 Wrong : 0.33

Direct conversion of heat into electrical energy is done by

Options :

1. ✘ fuel cells
2. ✘ stem cells
3. ✘ solar cells
4. ✔ MHD generators

Question Number : 57 Question Type : MCQ

Correct : 1 Wrong : 0.33

Which of the following is not a type of tariff?

Options :

1. ✘ Flat demand rate
2. ✔ Income rate
3. ✘ Block meter rate
4. ✘ Hopkinson demand rate

Question Number : 58 Question Type : MCQ

Correct : 1 Wrong : 0.33

What is the main function of a fuse?

Options :

1. ✘ To protect the line
2. ✘ To open the circuit
3. ✘ To save energy
4. ✔ To prevent excessive currents

Question Number : 59 Question Type : MCQ

Correct : 1 Wrong : 0.33

Buchholz's relay is

Options :

- ✘ installed inside the breaker
- ✘ located on top of conservator pump
- ✔ connected in pipe connecting transformer and conservator
- ✘ part of circuit breaker installed near transformer

Question Number : 60 Question Type : MCQ

Correct : 1 Wrong : 0.33

High tension cables are generally used up to

Options :

- ✔ 11 kV
- ✘ 33 kV
- ✘ 66 kV
- ✘ 132 kV

Question Number : 61 Question Type : MCQ

Correct : 1 Wrong : 0.33

What are Oil switches used for?

Options :

- ✘ low current circuits
- ✘ low voltage circuits
- ✔ high voltage and large current circuits
- ✘ low current supply

Question Number : 62 Question Type : MCQ

Correct : 1 Wrong : 0.33

Air used in air blast circuit breaker must:

Options :

- ✘ be free from moisture
- ✔ have least CO<sub>2</sub>
- ✘ be ionized
- ✘ have oil mist

Question Number : 63 Question Type : MCQ

Correct : 1 Wrong : 0.33

Which of the following is not a bus bar arrangement?

Options :

- ✘ Single bus bar
- ✔ Double bus bar
- ✘ Duplicate bus bar
- ✘ Ring bus bar

Question Number : 64 Question Type : MCQ

Correct : 1 Wrong : 0.33

Candela is a unit of.

Options :

1. ✓ Luminous intensity
2. ✗ Frequency
3. ✗ Lamp efficiency
4. ✗ Power

Question Number : 65 Question Type : MCQ

Correct : 1 Wrong : 0.33

The gas filled in vacuum filament lamps is:

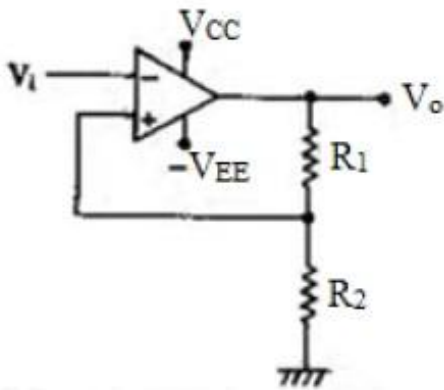
Options :

1. ✗ Nitrogen
2. ✗ Chlorine
3. ✓ Argon
4. ✗ Air

Question Number : 66 Question Type : MCQ

Correct : 1 Wrong : 0.33

What does the following diagram represent?



Options :

1. ✗ Monostable vibrator
2. ✗ Astable vibrator
3. ✓ Schmitt trigger
4. ✗ Bistable multivibrator

Question Number : 67 Question Type : MCQ

Correct : 1 Wrong : 0.33

Which of the following devices is used as lightning arrester?

Options :

1. ✗ Thyristor
2. ✗ Thyatron
3. ✗ Triode
4. ✓ Thyrite

Question Number : 68 Question Type : MCQ

Correct : 1 Wrong : 0.33

The primary to secondary turns ratio of a transformer is 1 : 2. If primary is connected to 50 Hz supply, then the frequency of secondary supply in Hz is:

Options :

1. ✓ 50
2. ✗  $\frac{50}{2}$
3. ✗  $2 \times 50$
4. ✗  $3 \times 50$

Question Number : 69 Question Type : MCQ

Correct : 1 Wrong : 0.33

A very high head hydro electric plant use

Options :

1. ✗ Francis turbine
2. ✗ Propeller turbine
3. ✓ Pelton wheel
4. ✗ Kaplan turbine

Question Number : 70 Question Type : MCQ

Correct : 1 Wrong : 0.33

The single phase induction motor which does not have centrifugal switch is

Options :

1. ✗ capacitor start single phase IM
2. ✗ resistance split single phase IM
3. ✗ capacitor start capacitor run single phase IM
4. ✓ permanent capacitor run single phase IM

Question Number : 71 Question Type : MCQ

Correct : 1 Wrong : 0.33

Match List I with List II and choose the correct answer from the options given below.

**List I (Machines)**

- i. DC motor
- ii. DC generator
- iii. Alternator
- iv. Induction motor

**List II (Graphs)**

- a. circle diagram
- b. V-curve
- c. open circuit characteristics
- d. speed torque curve

Options :

1. ✗ iv – a, iii – b, i – c, ii – d
2. ✗ iii – a, iv – b, ii – c, i – d
3. ✓ iv – a, iii – b, ii – c, i – d
4. ✗ iii – a, iv – b, i – c, ii – d

Question Number : 72 Question Type : MCQ

Correct : 1 Wrong : 0.33

A 4 pole DC machine is running at 1500 rpm. What is the frequency of current in armature winding?

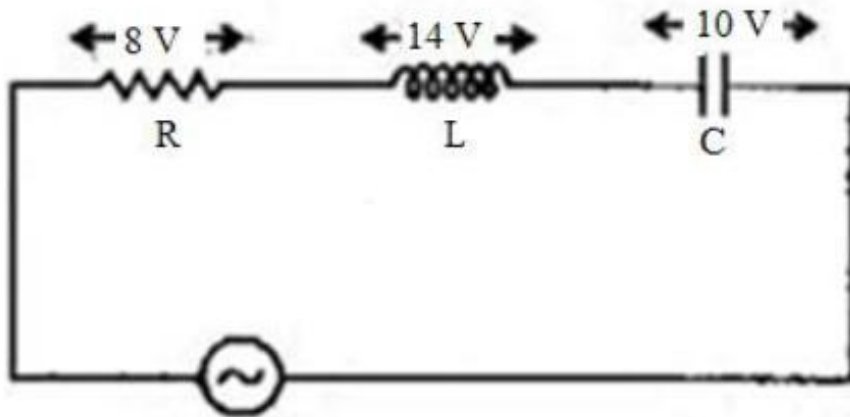
Options :

- ✘ 25 Hz
- ✘ 0 Hz
- ✘ 100 Hz
- ✔ 50 Hz

Question Number : 73 Question Type : MCQ

Correct : 1 Wrong : 0.33

If the voltage source is sinusoidal, then the input voltage (r.m.s.) is:



Options :

- ✘ 10 V
- ✔ 5 V
- ✘ 2.5 V
- ✘ 15 V

Question Number : 74 Question Type : MCQ

Correct : 1 Wrong : 0.33

Power output in a motor is 140 W. Input to the motor is 176.84 W including losses. Then, the efficiency is:

Options :

- ✘ 76%
- ✔ 79%
- ✘ 81%
- ✘ 74%

Question Number : 75 Question Type : MCQ

Correct : 1 Wrong : 0.33

**Statement 1-** Switching of a lamp in a house produces noise in radio

**Statement 2-** Switching operation produces arc contact across separating contacts

Which of the following is correct?

Options :

- ✔ Both 1 and 2 are correct and 2 is the correct explanation of 1
- ✘ Both 1 and 2 are correct but 2 is not the correct explanation of 1



3. ✘ 1 is true but 2 is false

4. ✘ 1 is false but 2 is true

### Numerical and logical Reasoning questions

Mandatory or Optional:

Mandatory

Question Number : 76 Question Type : MCQ

Correct : 1 Wrong : 0.33

Find out the word-pair in which the two words hold the same relationship as the two words in the word-pair given below.

Orange : Apple

Options :

1. ✘ House : Family

2. ✘ Pen : Ink

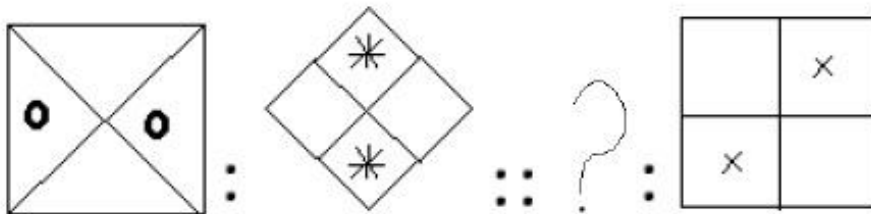
3. ✘ Tree : Flower

4. ✔ Table : Chair

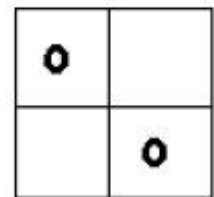
Question Number : 77 Question Type : MCQ

Correct : 1 Wrong : 0.33

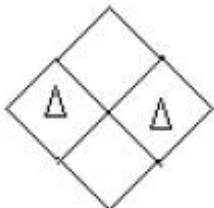
The first two figures on the left side of the sign '::' are related in a certain way. The same relationship holds for the second pair of figures on the right side of the sign '::', of which one is missing. Which of the following is the missing one?



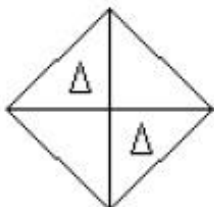
Options :



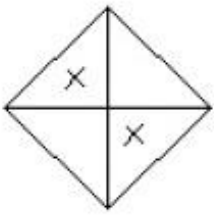
1. ✘



2. ✘



3. ✔



4. ✘

Question Number : 78 Question Type : MCQ

Correct : 1 Wrong : 0.33

Which number will replace the question mark in the number series below?

3, 4, 13, 38, ?, 168

Options :

1. ✘ 63
2. ✔ 87
3. ✘ 77
4. ✘ 102

Question Number : 79 Question Type : MCQ

Correct : 1 Wrong : 0.33

If 12% of 40% of  $X = 84$ , then what is the value of  $X$ ?

Options :

1. ✘ 1600
2. ✘ 1680
3. ✔ 1750
4. ✘ 1860

Question Number : 80 Question Type : MCQ

Correct : 1 Wrong : 0.33

P is the brother of Q and son of R. V is the sister of T, who is the daughter of Q. If R is the husband of S, then which of the following is true?

Options :

1. ✔ V is the granddaughter of S
2. ✘ R is the grandfather of Q
3. ✘ S is the mother of T
4. ✘ V is the nephew of P

Question Number : 81 Question Type : MCQ

Correct : 1 Wrong : 0.33

Four months are given below out of which three are alike in some manner and one is different. Which of the given months is different from the other three?

Options :





1. ✘ October
2. ✘ January
3. ✔ June
4. ✘ December

Question Number : 82 Question Type : MCQ

Correct : 1 Wrong : 0.33

Four figures are given below out of which three are similar in a certain way and one is different. Which is of the given figures is different from the other three?

Options :

1. ✘ 
2. ✔ 
3. ✘ 
4. ✘ 

Question Number : 83 Question Type : MCQ

Correct : 1 Wrong : 0.33

If '+' means '÷', '÷' means '-', '-' means '×' and '×' means '+', then

$$(12 + 4 \times 2) \times 6 - 4 \div 2 = ?$$

Options :

1. ✔ 27
2. ✘ 24
3. ✘ 17
4. ✘ 14

Question Number : 84 Question Type : MCQ

Correct : 1 Wrong : 0.33

If 'DAUGHTER' is coded as 'SFUIHVBE' in a certain language, then how would 'PROBLEM' be coded as in the same language?

Options :

1. ✘ LDKANQO
2. ✔ NFMCP SQ
3. ✘ QSPCMFN
4. ✘ NFM CSPQ

Question Number : 85 Question Type : MCQ

Correct : 1 Wrong : 0.33

Each of the following two rows contains 3 numbers. Some rules are given below to be used for getting the resultant for each row separately. Apply the rules for each row from left to right and answer the question.

*Rules:*

- (i) If an even number is followed by an odd but not prime number, both are to be multiplied.
- (ii) If an even number is followed by a prime number, both are to be added.
- (iii) If an odd number is followed by a composite odd number, the first number is to be subtracted from the square of the second number.
- (iv) If an odd number is followed by an even number, the odd one is to be subtracted from the even number.

Row I: 16, 9, 23

Row II: 13, 38, 25

What is the difference between the resultants of the first row and the second row?

**Options :**

1. ✘ 193
2. ✘ 26
3. ✘ 767
4. ✔ 433

Computer Applications

Mandatory or Optional:

Mandatory

**Question Number : 86 Question Type : MCQ**

**Correct : 1 Wrong : 0.33**

The operating system for mobile phones developed by Google is:

**Options :**

1. ✘ Amoeba
2. ✘ Magellan
3. ✔ Android
4. ✘ Ubuntu

**Question Number : 87 Question Type : MCQ**

**Correct : 1 Wrong : 0.33**

The CPU of a computer consists of:

**Options :**

1. ✔ ALU, control unit and registers
2. ✘ ALU and control unit
3. ✘ ALU, control unit and hard disk
4. ✘ ALU, control unit and monitor

Question Number : 88 Question Type : MCQ

Correct : 1 Wrong : 0.33

Which of the following is both an input and an output device?

Options :

1. ✘ Touch screen
2. ✘ LCD projector panel
3. ✘ Audio cards
4. ✔ Modem

Question Number : 89 Question Type : MCQ

Correct : 1 Wrong : 0.33

A program in execution is called:

Options :

1. ✔ Process
2. ✘ Instruction
3. ✘ Procedure
4. ✘ Function

Question Number : 90 Question Type : MCQ

Correct : 1 Wrong : 0.33

Criterion used for judging appropriateness of tool software is:

Options :

1. ✘ Scalability
2. ✘ Compatibility
3. ✔ Functionality
4. ✘ Security

Question Number : 91 Question Type : MCQ

Correct : 1 Wrong : 0.33

Which one of the following decimal number is equivalent to  $(10000010)_2$ ?

Options :

1. ✔  $130_{10}$
2. ✘  $200_{10}$
3. ✘  $1010_{10}$
4. ✘  $304_{10}$

Question Number : 92 Question Type : MCQ

Correct : 1 Wrong : 0.33

In a spreadsheet, one function inside another is called:

Options :

1. ✘ Text
2. ✔ Nested
3. ✘ Sum
4. ✘ Round

**Question Number : 93 Question Type : MCQ**

**Correct : 1 Wrong : 0.33**

Which of the following is not a part of the Office Suite?

**Options :**

1. ✘ Database
2. ✘ Image editor
3. ✔ File manager
4. ✘ Word processor

**Question Number : 94 Question Type : MCQ**

**Correct : 1 Wrong : 0.33**

Which of the following is not a Search Engine?

**Options :**

1. ✘ Yahoo
2. ✘ Alta Vista
3. ✘ Google
4. ✔ Facebook

**Question Number : 95 Question Type : MCQ**

**Correct : 1 Wrong : 0.33**

A shared network within an organisation to provide connectivity to the staff is called:

**Options :**

1. ✘ Internet
2. ✔ Intranet
3. ✘ Delnet
4. ✘ Extranet

GK / Awareness

Mandatory or Optional:

Mandatory

**Question Number : 96 Question Type : MCQ**

**Correct : 1 Wrong : 0.33**

Which Mughal ruler was on the throne of India when East India company was permitted to establish a factory at Surat?

**Options :**

1. ✘ Aurangzeb
2. ✘ Humayun
3. ✔ Jehangir
4. ✘ Shahjahan

**Question Number : 97 Question Type : MCQ**

**Correct : 1 Wrong : 0.33**

Who advises the centre on legal matters?

**Options :**

1. ✘ Advocate General of india

- ✘ President of India
- ✔ Attorney General of India
- ✘ Chief Justice of India

Question Number : 98 Question Type : MCQ

Correct : 1 Wrong : 0.33

Which of the following payment instruments is known as plastic money?

Options :

- ✘ Bearer Cheques
- ✘ Gift Cheques
- ✘ Demand Drafts
- ✔ Credit Cards

Question Number : 99 Question Type : MCQ

Correct : 1 Wrong : 0.33

EEG is taken out for diagnosing ailments of which of the following?

Options :

- ✔ Brain
- ✘ Heart
- ✘ Lungs
- ✘ Stomach

Question Number : 100 Question Type : MCQ

Correct : 1 Wrong : 0.33

Prime Minister Narendra Modi has recently launched the "Give It Up" Campaign for voluntarily giving up which of the following?

Options :

- ✘ Drugs
- ✘ Plastics
- ✘ Ration
- ✔ LPG Subsidy